

PVCu Actuated ball valves
PVCu Valvole a sfera attuate

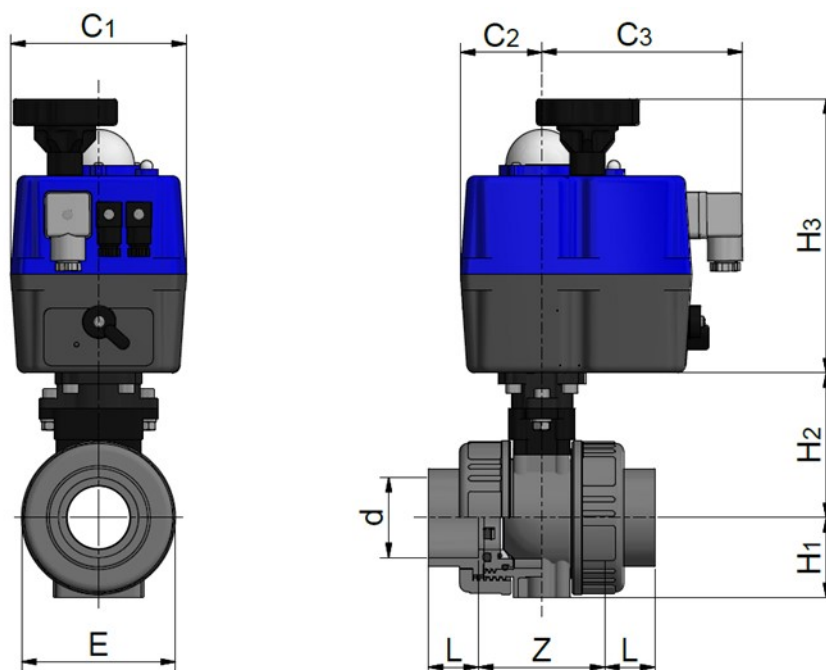
PVC-U Actuated industrial ball valves BK1

PVC-U Valvole a sfera industria BK1 attuate

ELECTRICALLY ACTUATED 24-240 V AC / 24-135 V DC - METRIC SOLVENT WELDED SOCKETS
COMANDO ELETTRICO 24-240 V AC / 24-135 V DC - MANICOTTI METRICI PER INCOLLAGGIO

Rev. Mar 2021

- Seals: EPDM or FKM / *Guarnizioni: EPDM o FKM*
- Ball seats: PTFE / *Tenute della sfera: PTFE*



Code EPDM ¹	d	DN	L	Z	E	C1	C2	C3	H1	H2	H3	PN	Weight (g)
BDREBK1YA0160	16	15	14,5	51	49	110	51	130	25	58	169	16	2465
BDREBK1YA0200	20	15	16	48	49	110	51	130	25	58	169	16	2465
BDREBK1YA0250	25	20	19	54	60	110	51	130	31	65	169	16	2568
BDREBK1YA0320	32	25	22	62	69	110	51	130	35	74,5	169	16	2615
BDREBK1YA0400	40	32	26	69	80	110	51	130	41	82	169	16	2816
BDREBK1YA0500	50	40	31	81	96	110	51	130	50	90	169	16	3145
BDREBK1YA0630	63	50	39	94	116	110	51	130	62	102,5	169	16	3137
BDREBK1YA0750	75	65	44	141	167	110	51	130	84	117,5	196	16	6389
BDREBK1YA0900	90	80	51	140	167	110	51	130	84	117,5	196	16	6305
BDREBK1YA1100	110	100	61	162	209	110	51	130	105	139,5	196	16	9073

1) FKM code / *Codice FKM* : BDREBK1YA***V



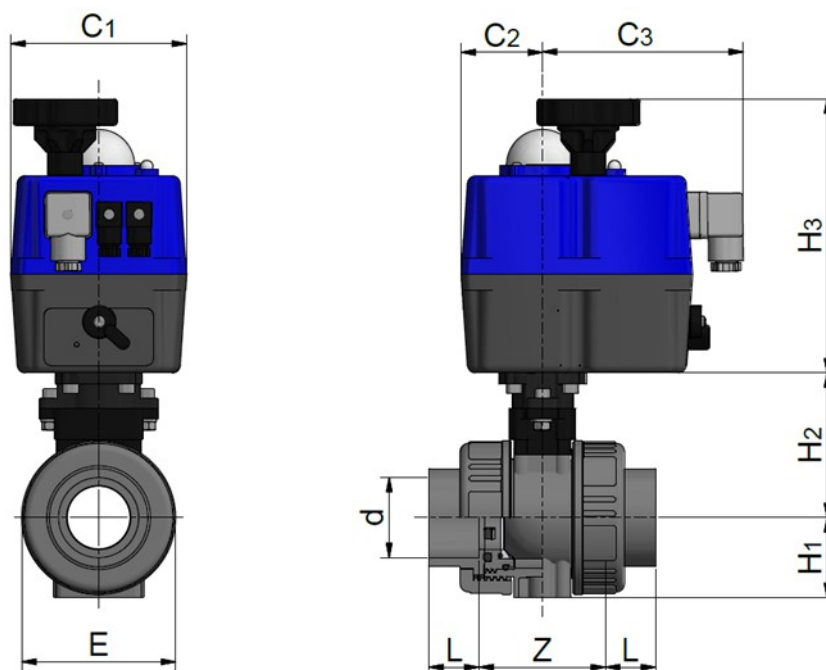
NSF and WRAS certifications: only for valves with EPDM seals. Certifications and approvals are related to items declared on Official Listing or certificates. /
 Certificazioni NSF e WRAS: valide solo per le valvole con guarnizioni EPDM. Le certificazioni si riferiscono ai prodotti dichiarati nelle Official Listing o sui certificati stessi.

PVC-U Actuated industrial ball valves BK1

ELECTRICALLY ACTUATED 12 V AC/DC - METRIC SOLVENT WELDED SOCKETS COMANDO ELETTRICO 12 V AC/DC - MANICOTTI METRICI PER INCOLLAGGIO

Rev. Mar 2021

- Seals: EPDM or FKM / *Guarnizioni: EPDM o FKM*
- Ball seats: PTFE / *Tenute della sfera: PTFE*



Code EPDM ¹	d	DN	L	Z	E	C1	C2	C3	H1	H2	H3	PN	Weight (g)
BDREBK1JA0160	16	15	14,5	51	49	110	51	130	25	58	169	16	2465
BDREBK1JA0200	20	15	16	48	49	110	51	130	25	58	169	16	2465
BDREBK1JA0250	25	20	19	54	60	110	51	130	31	65	169	16	2568
BDREBK1JA0320	32	25	22	62	69	110	51	130	35	74,5	169	16	2615
BDREBK1JA0400	40	32	26	69	80	110	51	130	41	82	169	16	2816
BDREBK1JA0500	50	40	31	81	96	110	51	130	50	90	169	16	3145
BDREBK1JA0630	63	50	39	94	116	110	51	130	62	102,5	169	16	3137
BDREBK1JA0750	75	65	44	141	167	110	51	130	84	117,5	196	16	6389
BDREBK1JA0900	90	80	51	140	167	110	51	130	84	117,5	196	16	6305
BDREBK1JA1100	110	100	61	162	209	110	51	130	105	139,5	196	16	9073

1) FKM code / *Codice FKM* : BDREBK1JA***V



NSF and WRAS certifications: only for valves with EPDM seals. Certifications and approvals are related to items declared on Official Listing or certificates. /
Certificazioni NSF e WRAS: valide solo per le valvole con guarnizioni EPDM. Le certificazioni si riferiscono ai prodotti dichiarati nelle Official Listing o sui certificati stessi.

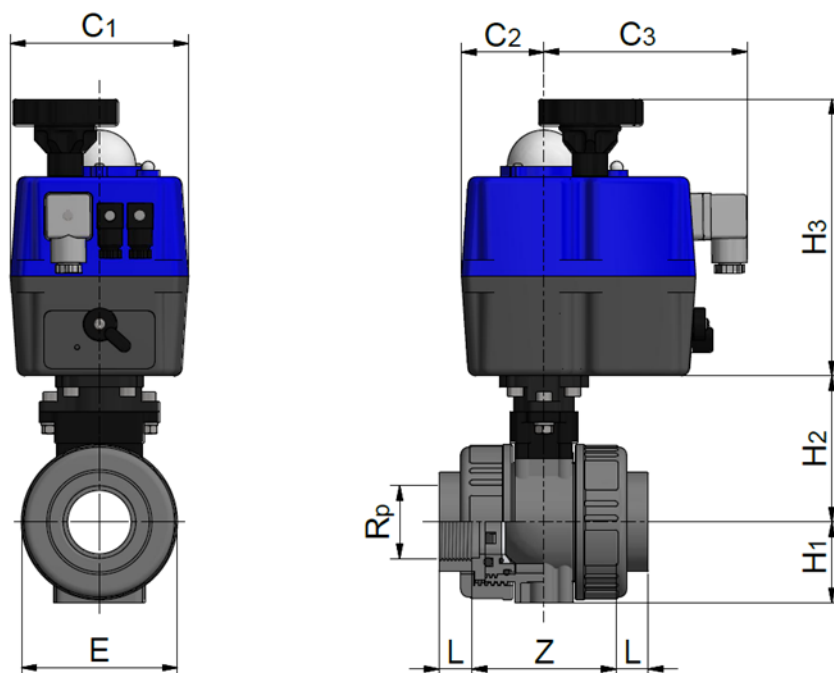
PVC-U Actuated industrial ball valves BK1

PVC-U Valvole a sfera industria BK1 attuate

ELECTRICALLY ACTUATED 24-240 V AC / 24-135 V DC – BSPP TRHEADED SOCKETS
COMANDO ELETTRICO 24-240 V AC / 24-135 V DC – MANICOTTI FILETTATI BSPP

Rev. Mar 2021

- Seals: EPDM or FKM / *Guarnizioni: EPDM o FKM*
- Ball seats: PTFE / *Tenute della sfera: PTFE*



Code EPDM ¹	Rp	DN	L min	Z max	E	C1	C2	C3	H1	H2	H3	PN	Weight (g)
BEREBK1YA0160	3/8"	15	11,4	57,2	49	110	51	130	25	58	169	16	2465
BEREBK1YA0200	1/2"	15	15	50	49	110	51	130	25	58	169	16	2465
BEREBK1YA0250	3/4"	20	16,3	59,4	60	110	51	130	31	65	169	16	2568
BEREBK1YA0320	1"	25	19,5	67	69	110	51	130	35	74,5	169	16	2615
BEREBK1YA0400	1"1/4	32	21,4	78,2	80	110	51	130	41	82	169	16	2816
BEREBK1YA0500	1"1/2	40	21,4	87,2	96	110	51	130	50	90	169	16	3145
BEREBK1YA0630	2"	50	25,7	98,6	116	110	51	130	62	102,5	169	16	3137
BEREBK1YA0750	2"1/2	65	30,2	168,6	167	110	51	130	84	117,5	196	16	6389
BEREBK1YA0900	3"	80	33,3	146,4	167	110	51	130	84	117,5	196	16	6305
BEREBK1YA1100	4"	100	39,3	205,4	209	110	51	130	105	139,5	196	16	9073

1) FKM code / *Codice FKM* : BEREBK1YA***V



NSF and WRAS certifications: only for valves with EPDM seals. Certifications and approvals are related to items declared on Official Listing or certificates. /
 Certificazioni NSF e WRAS: valide solo per le valvole con guarnizioni EPDM. Le certificazioni si riferiscono ai prodotti dichiarati nelle Official Listing o sui certificati stessi.

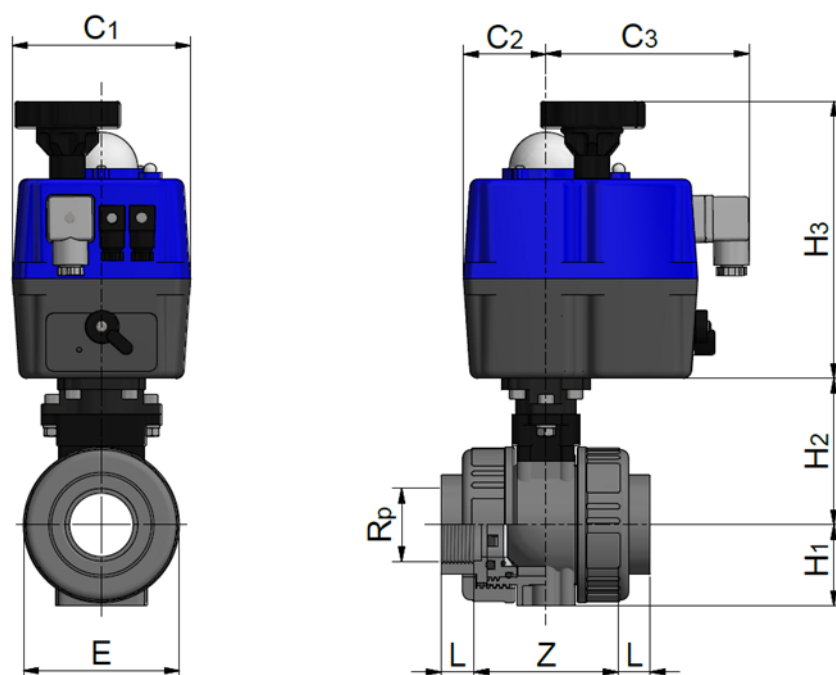
PVC-U Actuated industrial ball valves BK1

PVC-U Valvole a sfera industria BK1 attuate

ELECTRICALLY ACTUATED 12 V AC/DC – BSPP TRHEADED SOCKETS
COMANDO ELETTRICO 12 V AC/DC – MANICOTTI FILETTATI BSPP

Rev. Mar 2021

- Seals: EPDM or FKM / *Guarnizioni: EPDM o FKM*
- Ball seats: PTFE / *Tenute della sfera: PTFE*



Code EPDM ¹	Rp	DN	L min	Z max	E	C1	C2	C3	H1	H2	H3	PN	Weight (g)
BEREBK1JA0160	3/8"	15	11,4	57,2	49	110	51	130	25	58	169	16	2465
BEREBK1JA0200	1/2"	15	15	50	49	110	51	130	25	58	169	16	2465
BEREBK1JA0250	3/4"	20	16,3	59,4	60	110	51	130	31	65	169	16	2568
BEREBK1JA0320	1"	25	19,5	67	69	110	51	130	35	74,5	169	16	2615
BEREBK1JA0400	1"1/4	32	21,4	78,2	80	110	51	130	41	82	169	16	2816
BEREBK1JA0500	1"1/2	40	21,4	87,2	96	110	51	130	50	90	169	16	3145
BEREBK1JA0630	2"	50	25,7	98,6	116	110	51	130	62	102,5	169	16	3137
BEREBK1JA0750	2"1/2	65	30,2	168,6	167	110	51	130	84	117,5	196	16	6389
BEREBK1JA0900	3"	80	33,3	146,4	167	110	51	130	84	117,5	196	16	6305
BEREBK1JA1100	4"	100	39,3	205,4	209	110	51	130	105	139,5	196	16	9073

1) FKM code / *Codice FKM* : BEREBK1JA***V



NSF and WRAS certifications: only for valves with EPDM seals. Certifications and approvals are related to items declared on Official Listing or certificates. /
 Certificazioni NSF e WRAS: valide solo per le valvole con guarnizioni EPDM. Le certificazioni si riferiscono ai prodotti dichiarati nelle Official Listing o sui certificati stessi.

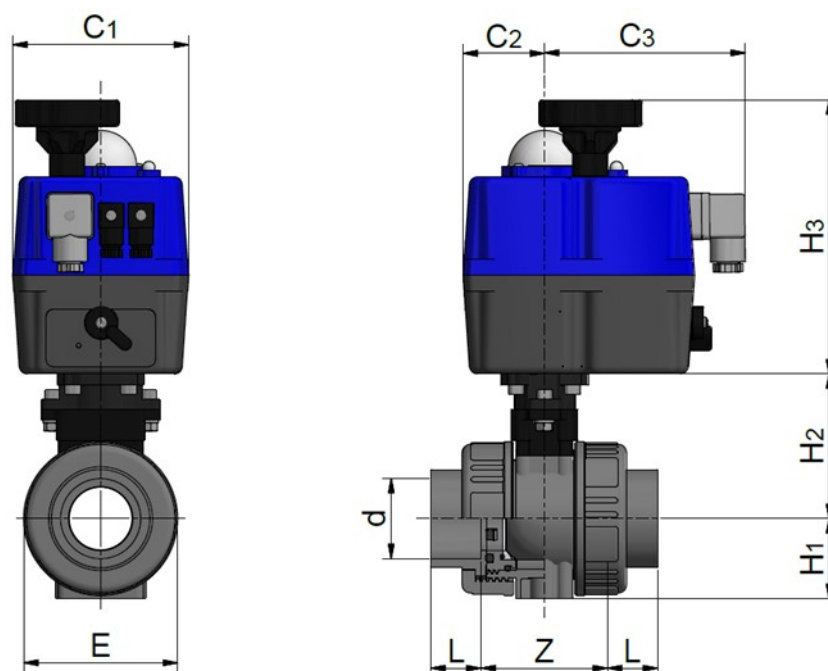
PVC-U Actuated industrial ball valves BK1

PVC-U Valvole a sfera industria BK1 attuate

ELECTRICALLY ACTUATED 24-240 V AC / 24-135 V DC – BS SOLVENT WELDED SOCKETS
COMANDO ELETTRICO 24-240 V AC / 24-135 V DC – MANICOTTI BS PER INCOLLAGGIO

Rev. Mar 2021

- Seals: EPDM or FKM / *Guarnizioni: EPDM o FKM*
- Ball seats: PTFE / *Tenute della sfera: PTFE*



Code EPDM ¹	d	DN	L	Z	E	C1	C2	C3	H1	H2	H3	PN	Weight (g)
BAREBK1YA0160	3/8"	15	14,5	51	49	110	51	130	25	58	169	16	2465
BAREBK1YA0200	1/2"	15	16	48	49	110	51	130	25	58	169	16	2465
BAREBK1YA0250	3/4"	20	19	54	60	110	51	130	31	65	169	16	2568
BAREBK1YA0320	1"	25	22	62	69	110	51	130	35	74,5	169	16	2615
BAREBK1YA0400	1"1/4	32	26	69	80	110	51	130	41	82	169	16	2816
BAREBK1YA0500	1"1/2	40	31	81	96	110	51	130	50	90	169	16	3145
BAREBK1YA0630	2"	50	39	94	116	110	51	130	62	102,5	169	16	3137
BAREBK1YA0750	2"1/2	65	44	141	167	110	51	130	84	117,5	196	16	6389
BAREBK1YA0900	3"	80	51	140	167	110	51	130	84	117,5	196	16	6305
BAREBK1YA1100	4"	100	61	162	209	110	51	130	105	139,5	196	16	9073

1) FKM code / *Codice FKM* : BAREBK1YA***V



NSF and WRAS certifications: only for valves with EPDM seals. Certifications and approvals are related to items declared on Official Listing or certificates. /
 Certificazioni NSF e WRAS: valide solo per le valvole con guarnizioni EPDM. Le certificazioni si riferiscono ai prodotti dichiarati nelle Official Listing o sui certificati stessi.

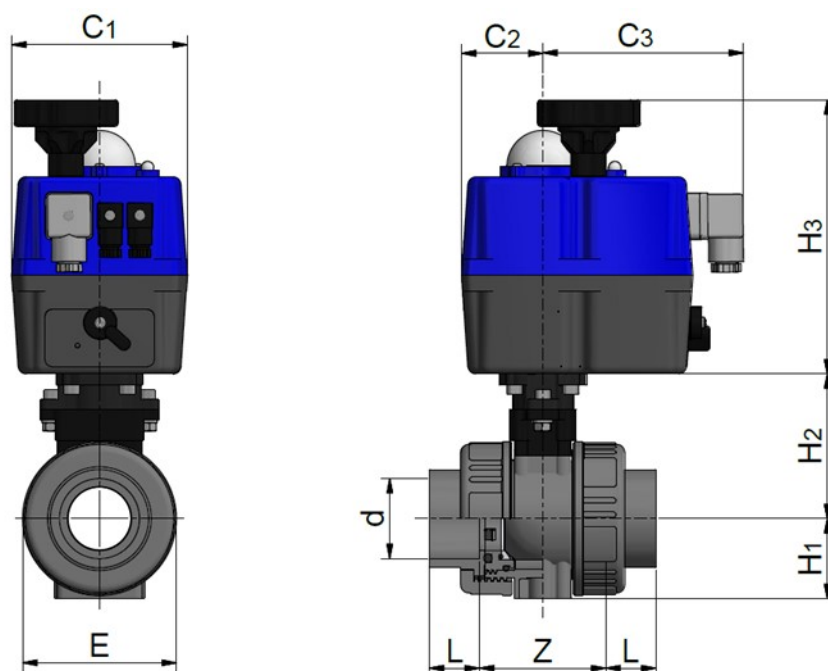
PVC-U Actuated industrial ball valves BK1

PVC-U Valvole a sfera industria BK1 attuate

ELECTRICALLY ACTUATED 12 V AC/DC – BS SOLVENT WELDED SOCKETS
COMANDO ELETTRICO 12 V AC/DC – MANICOTTI BS PER INCOLLAGGIO

Rev. Mar 2021

- Seals: EPDM or FKM / *Guarnizioni: EPDM o FKM*
- Ball seats: PTFE / *Tenute della sfera: PTFE*



Code EPDM ¹	d	DN	L	Z	E	C1	C2	C3	H1	H2	H3	PN	Weight (g)
BAREBK1JA0160	3/8"	15	14,5	51	49	110	51	130	25	58	169	16	2465
BAREBK1JA0200	1/2"	15	16	48	49	110	51	130	25	58	169	16	2465
BAREBK1JA0250	3/4"	20	19	54	60	110	51	130	31	65	169	16	2568
BAREBK1JA0320	1"	25	22	62	69	110	51	130	35	74,5	169	16	2615
BAREBK1JA0400	1"1/4	32	26	69	80	110	51	130	41	82	169	16	2816
BAREBK1JA0500	1"1/2	40	31	81	96	110	51	130	50	90	169	16	3145
BAREBK1JA0630	2"	50	39	94	116	110	51	130	62	102,5	169	16	3137
BAREBK1JA0750	2"1/2	65	44	141	167	110	51	130	84	117,5	196	16	6389
BAREBK1JA0900	3"	80	51	140	167	110	51	130	84	117,5	196	16	6305
BAREBK1JA1100	4"	100	61	162	209	110	51	130	105	139,5	196	16	9073

1) FKM code / *Codice FKM* : BAREBK1JA***V



NSF and WRAS certifications: only for valves with EPDM seals. Certifications and approvals are related to items declared on Official Listing or certificates. /
 Certificazioni NSF e WRAS: valide solo per le valvole con guarnizioni EPDM. Le certificazioni si riferiscono ai prodotti dichiarati nelle Official Listing o sui certificati stessi.

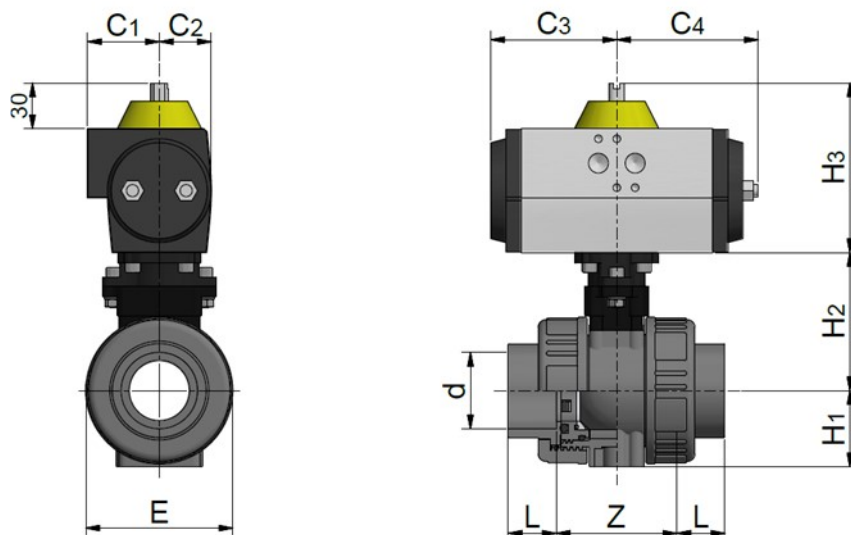
PVC-U Actuated industrial ball valves BK1

PVC-U Valvole a sfera industria BK1 attuate

PNEUMATICALLY ACTUATED DOUBLE ACTING - METRIC SOLVENT WELDED SOCKETS
COMANDO PNEUMATICO DOPPIO EFFETTO - MANICOTTI METRICI PER INCOLLAGGIO

Rev. Mar 2021

- Seals: EPDM or FKM / *Guarnizioni: EPDM o FKM*
- Ball seats: PTFE / *Tenute della sfera: PTFE*



Code EPDM ¹	d	DN	L	Z	E	C1	C2	C3	C4	H1	H2	H3	PN	Weight (g)
BDRPBK1016D	16	15	14,5	51	49	40	27	59,5	59,5	25	58	71	16	1575
BDRPBK1020D	20	15	16	48	49	40	27	59,5	59,5	25	58	71	16	1575
BDRPBK1025D	25	20	19	54	60	40	27	59,5	59,5	31	65	71	16	1678
BDRPBK1032D	32	25	22	62	69	40	27	59,5	59,5	35	74,5	71	16	1725
BDRPBK1040D	40	32	26	69	80	40	27	59,5	59,5	41	82	71	16	1926
BDRPBK1050D	50	40	31	81	96	40	27	59,5	59,5	50	90	71	16	2255
BDRPBK1063D	63	50	39	94	116	40	27	59,5	59,5	62	102,5	71	16	2247
BDRPBK1075D	75	65	44	141	167	47	34	98,5	108,5	84	117,5	81	16	6169
BDRPBK1090D	90	80	51	140	167	47	34	98,5	108,5	84	117,5	81	16	6085
BDRPBK1110D	110	100	61	162	209	54	42	88,5	97,5	105	139,5	98	16	8853

1) FKM code / Codice FKM : BDRPBK1***DV



NSF and WRAS certifications: only for valves with EPDM seals. Certifications and approvals are related to items declared on Official Listing or certificates. /
 Certificazioni NSF e WRAS: valide solo per le valvole con guarnizioni EPDM. Le certificazioni si riferiscono ai prodotti dichiarati nelle Official Listing o sui certificati stessi.

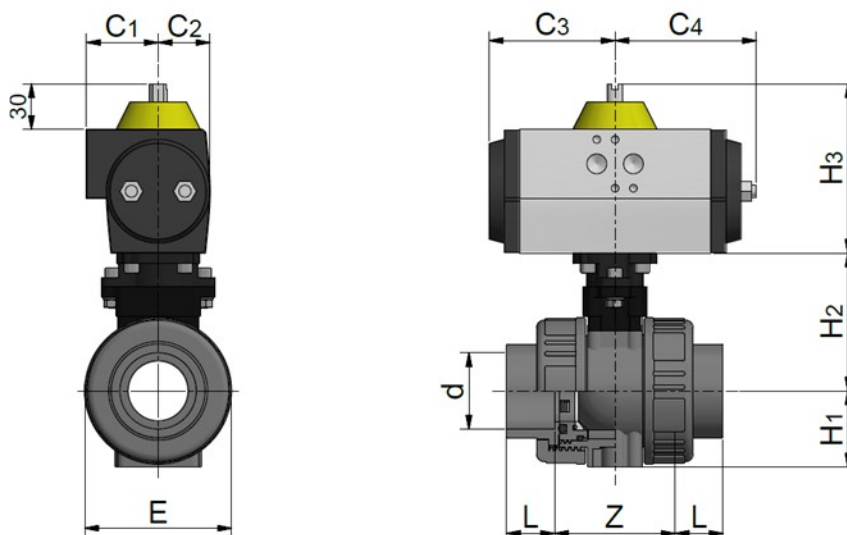
PVC-U Actuated industrial ball valves BK1

PVC-U Valvole a sfera industria BK1 attuate

PNEUMATICALLY ACTUATED SPRING RETURN - METRIC SOLVENT WELDED SOCKETS
COMANDO PNEUMATICO SEMPLICE EFFETTO - MANICOTTI METRICI PER INCOLLAGGIO

Rev. Mar 2021

- Standard version: "fail-to-close" / *Versione standard: normalmente chiusa*
- Seals: EPDM or FKM / *Guarnizioni: EPDM o FKM*
- Ball seats: PTFE / *Tenute della sfera: PTFE*



Code EPDM ¹	d	DN	L	Z	E	C1	C2	C3	C4	H1	H2	H3	PN	Weight (g)
BDRPBK1016S	16	15	14,5	51	49	40	27	59,5	59,5	25	58	71	16	1575
BDRPBK1020S	20	15	16	48	49	40	27	59,5	59,5	25	58	71	16	1575
BDRPBK1025S	25	20	19	54	60	40	27	59,5	59,5	31	65	71	16	1678
BDRPBK1032S	32	25	22	62	69	40	27	59,5	59,5	35	74,5	71	16	1725
BDRPBK1040S	40	32	26	69	80	41	29	80	98	41	82	71	16	1926
BDRPBK1050S	50	40	31	81	96	47	34	82,5	92,5	50	90	71	16	2255
BDRPBK1063S	63	50	39	94	116	47	34	98,5	108,5	62	102,5	71	16	2247
BDRPBK1075S	75	65	44	141	167	62	52	115	126	84	117,5	81	16	6169
BDRPBK1090S	90	80	51	140	167	62	52	115	126	84	117,5	81	16	6085
BDRPBK1110S	110	100	61	162	209	62	52	115	126	105	139,5	98	16	8853

1) FKM code / Codice FKM : BDRPBK1***SV



NSF and WRAS certifications: only for valves with EPDM seals. Certifications and approvals are related to items declared on Official Listing or certificates. /
 Certificazioni NSF e WRAS: valide solo per le valvole con guarnizioni EPDM. Le certificazioni si riferiscono ai prodotti dichiarati nelle Official Listing o sui certificati stessi.

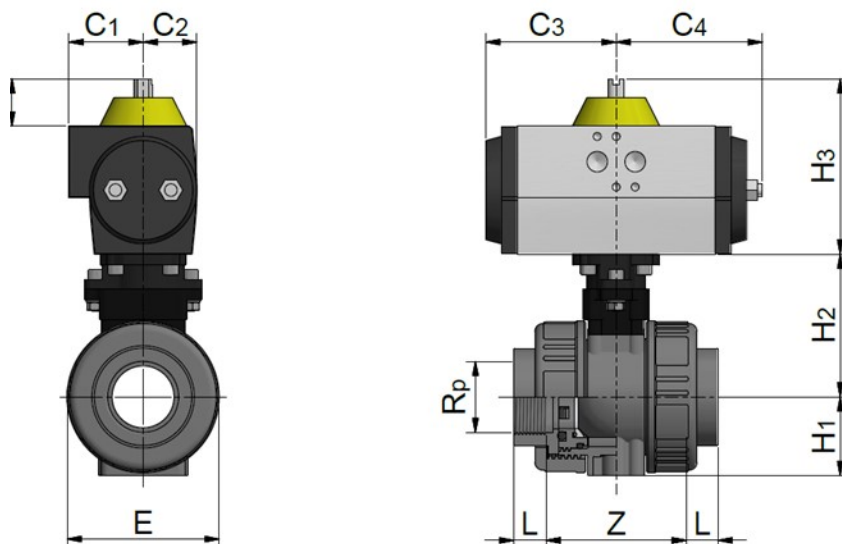
PVC-U Actuated industrial ball valves BK1

PVC-U Valvole a sfera industria BK1 attuate

PNEUMATICALLY ACTUATED DOUBLE ACTING - BSP TRHEADED SOCKETS
COMANDO PNEUMATICO DOPPIO EFFETTO - MANICOTTI FILETTATI BSP

Rev. Mar 2021

- Seals: EPDM or FKM / *Guarnizioni: EPDM o FKM*
- Ball seats: PTFE / *Tenute della sfera: PTFE*



Code EPDM ¹	d	DN	L min	Z max	E	C1	C2	C3	C4	H1	H2	H3	PN	Weight (g)
BERPBK1016D	3/8"	15	11,4	57,2	49	40	27	59,5	59,5	25	58	71	16	1575
BERPBK1020D	1/2"	15	15	50	49	40	27	59,5	59,5	25	58	71	16	1575
BERPBK1025D	3/4"	20	16,3	59,4	60	40	27	59,5	59,5	31	65	71	16	1678
BERPBK1032D	1"	25	19,5	67	69	40	27	59,5	59,5	35	74,5	71	16	1725
BERPBK1040D	1"1/4	32	21,4	78,2	80	40	27	59,5	59,5	41	82	71	16	1926
BERPBK1050D	1"1/2	40	21,4	87,2	96	40	27	59,5	59,5	50	90	71	16	2255
BERPBK1063D	2"	50	25,7	98,6	116	40	27	59,5	59,5	62	102,5	71	16	2247
BERPBK1075D	2"1/2	65	30,2	168,6	167	47	34	98,5	108,5	84	117,5	81	16	6169
BERPBK1090D	3"	80	33,3	146,4	167	47	34	98,5	108,5	84	117,5	81	16	6085
BERPBK1110D	4"	100	39,3	205,4	209	54	42	88,5	97,5	105	139,5	98	16	8853

1) FKM code / Codice FKM : BERPBK1***DV



NSF and WRAS certifications: only for valves with EPDM seals. Certifications and approvals are related to items declared on Official Listing or certificates. /
 Certificazioni NSF e WRAS: valide solo per le valvole con guarnizioni EPDM. Le certificazioni si riferiscono ai prodotti dichiarati nelle Official Listing o sui certificati stessi.

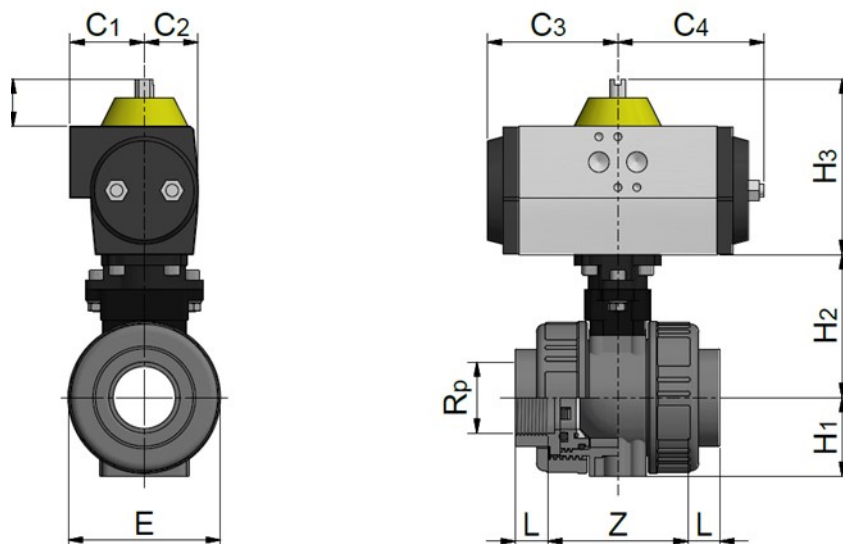
PVC-U Actuated industrial ball valves BK1

PVC-U Valvole a sfera industria BK1 attuate

PNEUMATICALLY ACTUATED SPRING RETURN - BSP TRHEADED SOCKETS
COMANDO PNEUMATICO SEMPLICE EFFETTO - MANICOTTI FILETTATI BSP

Rev. Mar 2021

- Standard version: "fail-to-close" / *Versione standard: normalmente chiusa*
- Seals: EPDM or FKM / *Guarnizioni: EPDM o FKM*
- Ball seats: PTFE / *Tenute della sfera: PTFE*



Code EPDM ¹	Rp	DN	L min	Z max	E	C1	C2	C3	C4	H1	H2	H3	PN	Weight (g)
BERPBK1016S	3/8"	15	11,4	57,2	49	40	27	59,5	59,5	25	58	71	16	1575
BERPBK1020S	1/2"	15	15	50	49	40	27	59,5	59,5	25	58	71	16	1575
BERPBK1025S	3/4"	20	16,3	59,4	60	40	27	59,5	59,5	31	65	71	16	1678
BERPBK1032S	1"	25	19,5	67	69	40	27	59,5	59,5	35	74,5	71	16	1725
BERPBK1040S	1"1/4	32	21,4	78,2	80	41	29	80	98	41	82	71	16	1926
BERPBK1050S	1"1/2	40	21,4	87,2	96	47	34	82,5	92,5	50	90	71	16	2255
BERPBK1063S	2"	50	25,7	98,6	116	47	34	98,5	108,5	62	102,5	71	16	2247
BERPBK1075S	2"1/2	65	30,2	168,6	167	62	52	115	126	84	117,5	81	16	6169
BERPBK1090S	3"	80	33,3	146,4	167	62	52	115	126	84	117,5	81	16	6085
BERPBK1110S	4"	100	39,3	205,4	209	62	52	115	126	105	139,5	98	16	8853

1) FKM code / Codice FKM : BERPBK1***SV



NSF and WRAS certifications: only for valves with EPDM seals. Certifications and approvals are related to items declared on Official Listing or certificates. /
 Certificazioni NSF e WRAS: valide solo per le valvole con guarnizioni EPDM. Le certificazioni si riferiscono ai prodotti dichiarati nelle Official Listing o sui certificati stessi.

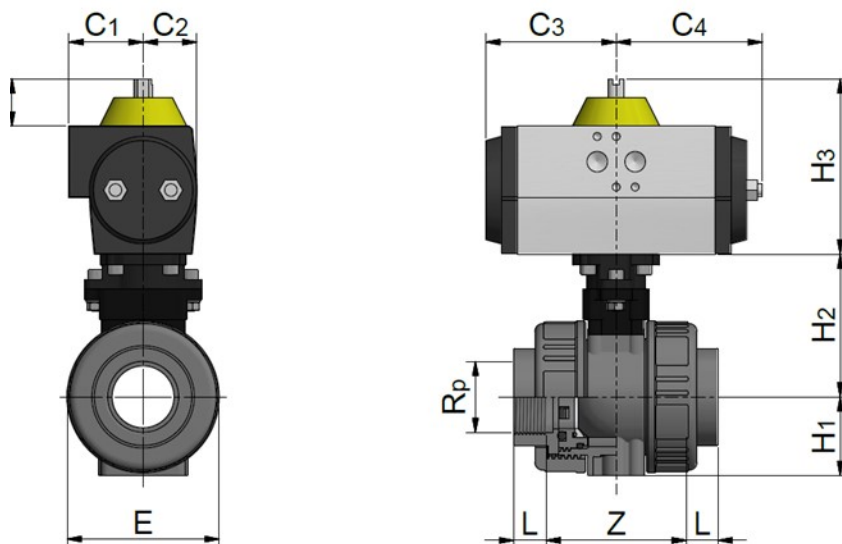
PVC-U Actuated industrial ball valves BK1

PVC-U Valvole a sfera industria BK1 attuate

PNEUMATICALLY ACTUATED DOUBLE ACTING - BS SOLVENT WELDED SOCKETS
COMANDO PNEUMATICO DOPPIO EFFETTO - MANICOTTI BS PER INCOLLAGGIO

Rev. Mar 2021

- Seals: EPDM or FKM / *Guarnizioni: EPDM o FKM*
- Ball seats: PTFE / *Tenute della sfera: PTFE*



Code EPDM ¹	d	DN	L	Z	E	C1	C2	C3	C4	H1	H2	H3	PN	Weight (g)
BARPBK1016D	3/8"	15	14,5	51	49	40	27	59,5	59,5	25	58	71	16	1575
BARPBK1020D	1/2"	15	16	48	49	40	27	59,5	59,5	25	58	71	16	1575
BARPBK1025D	3/4"	20	19	54	60	40	27	59,5	59,5	31	65	71	16	1678
BARPBK1032D	1"	25	22	62	69	40	27	59,5	59,5	35	74,5	71	16	1725
BARPBK1040D	1"1/4	32	26	69	80	40	27	59,5	59,5	41	82	71	16	1926
BARPBK1050D	1"1/2	40	31	81	96	40	27	59,5	59,5	50	90	71	16	2255
BARPBK1063D	2"	50	39	94	116	40	27	59,5	59,5	62	102,5	71	16	2247
BARPBK1075D	2"1/2	65	44	141	167	47	34	98,5	108,5	84	117,5	81	16	6169
BARPBK1090D	3"	80	51	140	167	47	34	98,5	108,5	84	117,5	81	16	6085
BARPBK1110D	4"	100	61	162	209	54	42	88,5	97,5	105	139,5	98	16	8853

1) FKM code / Codice FKM : BARPBK1***DV



NSF and WRAS certifications: only for valves with EPDM seals. Certifications and approvals are related to items declared on Official Listing or certificates. /
 Certificazioni NSF e WRAS: valide solo per le valvole con guarnizioni EPDM. Le certificazioni si riferiscono ai prodotti dichiarati nelle Official Listing o sui certificati stessi.

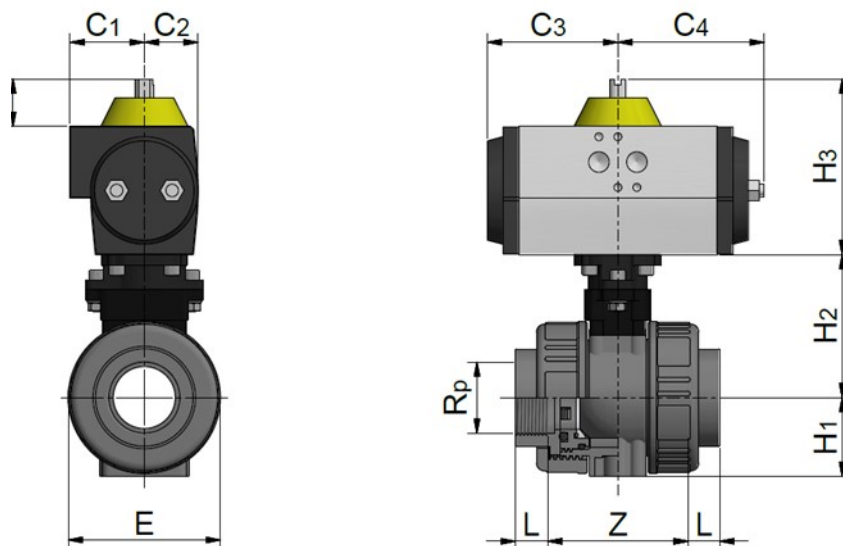
PVC-U Actuated industrial ball valves BK1

PVC-U Valvole a sfera industria BK1 attuate

PNEUMATICALLY ACTUATED SPRING RETURN - BS SOLVENT WELDED SOCKETS
COMANDO PNEUMATICO SEMPLICE EFFETTO - MANICOTTI BS PER INCOLLAGGIO

Rev. Mar 2021

- Standard version: "fail-to-close" / *Versione standard: normalmente chiusa*
- Seals: EPDM or FKM / *Guarnizioni: EPDM o FKM*
- Ball seats: PTFE / *Tenute della sfera: PTFE*



Code EPDM ¹	d	DN	L	Z	E	C1	C2	C3	C4	H1	H2	H3	PN	Weight (g)
BARPBK1016S	3/8"	15	14,5	51	49	40	27	59,5	59,5	25	58	71	16	1575
BARPBK1020S	1/2"	15	16	48	49	40	27	59,5	59,5	25	58	71	16	1575
BARPBK1025S	3/4"	20	19	54	60	40	27	59,5	59,5	31	65	71	16	1678
BARPBK1032S	1"	25	22	62	69	40	27	59,5	59,5	35	74,5	71	16	1725
BARPBK1040S	1"1/4	32	26	69	80	41	29	80	98	41	82	71	16	1926
BARPBK1050S	1"1/2	40	31	81	96	47	34	82,5	92,5	50	90	71	16	2255
BARPBK1063S	2"	50	39	94	116	47	34	98,5	108,5	62	102,5	71	16	2247
BARPBK1075S	2"1/2	65	44	141	167	62	52	115	126	84	117,5	81	16	6169
BARPBK1090S	3"	80	51	140	167	62	52	115	126	84	117,5	81	16	6085
BARPBK1110S	4"	100	61	162	209	62	52	115	126	105	139,5	98	16	8853

1) FKM code / Codice FKM : BARPBK1***SV



NSF and WRAS certifications: only for valves with EPDM seals. Certifications and approvals are related to items declared on Official Listing or certificates. /
 Certificazioni NSF e WRAS: valide solo per le valvole con guarnizioni EPDM. Le certificazioni si riferiscono ai prodotti dichiarati nelle Official Listing o sui certificati stessi.

All descriptions and illustrations in this publication are intended for guidance only and shall not constitute a 'sale by description'. All dimensions given are nominal, while changes can be done on the information, products and specifications from time to time for a variety of reasons, without prior notice. The information in this publication is provided 'as is' on the revision date stated on the sheet. Updates will not be issued automatically. This information is not intended to have any legal effect, whether by way of advice, representation or warranty (express or implied). We accept no liability whatsoever (to the extent permitted by law) if you place any reliance on this publication you must do so at your own risk. All rights reserved. Copyright in this publication belongs to Polypipe Italia and all such copyright may not be used, sold, copied or reproduced in whole or part in any manner in any media to any person without prior consent. **EFFAST** is a registered trademark."